



Presto Stantest Pvt. Ltd.

I-42, DLF Industrial Area Phase-1, Delhi Mathura Road, Faridabad 121003, Haryana, India
P : 9210 903 903, +91 129 4272727, 93111 24302 E : info@prestogroup.com

- Faridabad • Kolkata • Mumbai • Pune • Ahmedabad
- Chennai • Bangalore • Hyderabad



**MOST
ADVANCED
& STABLE
INSTRUMENTS
IN INDIA**

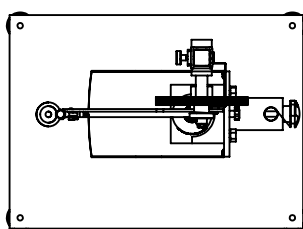
Impact Tester for Glass Bottles



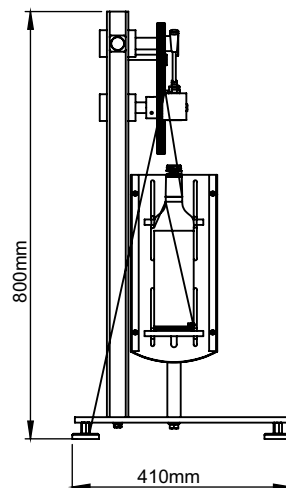
Model PITGB -0140

Impact Tester for Glass Bottle delivers a reproducible force for measuring the impact resistance of glass containers. This device is easy to use and produces reliable test results.

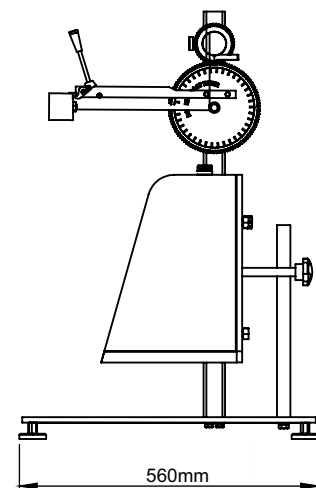
- Impact level is adjustable over a range of upto 2.6 Newton / Meter available energy
- Anti-friction needle bearings provide accurate alignment with minimum inertia
- Rigid, light-weight suspension carries permanently aligned pendulum assembly
- Head is designed to maximize the impact force applied to the bottle
- Stainless steel collet chute retains fragments from rigid containers while the shell design eliminates interference with testing
- Steel backstop with adjustable positioning guide
- Screw and crank provide rapid, accurate, and reproducible height adjustment



Top View



Front View



Side View



Presto Stantest Pvt. Ltd.

I-42, DLF Industrial Area Phase-1, Delhi Mathura Road, Faridabad 121003, Haryana, India
P : 9210 903 903, +91 129 4272727, 93111 24302 E : info@prestogroup.com

- Faridabad • Kolkata • Mumbai • Pune • Ahmedabad
- Chennai • Bangalore • Hyderabad



Key Specifications:

Test Load	61 gm \pm 5gm, 68 gm \pm 5gm, 250gm \pm 10gm,
Bottle Sample Clamp	Adjustable upto 200 mm
Pendulum Shaft height	250 mm \pm 5mm
Scale Range	upto 90 Degree
Scale Least Count	1 Degree

Highlights:

Material	Mild Steel / Stainless Steel
Finish	Powder coated Havel Gray & Blue combination finish and bright chrome / zinc plating for corrosion resistant finish
Pendulum Releasing Mechanism	Spring operated manually
Test Load	3 nos.
Pendulum rotation	Through Gear System
Dimensions	410 x 560 x 800 mm

Thank you customers for choosing us as your partners in growth !



*All the above logos are the sole property of their respective owners and are used purely for depiction purposes only.

OUR OTHER PRODUCTS :-

Top Load Tester	Wall Thickness Gauge	Gloss Meter Triangle	Eccentricity Tester	Moisture Analyzer MB 45	Preform Neck Cutter

